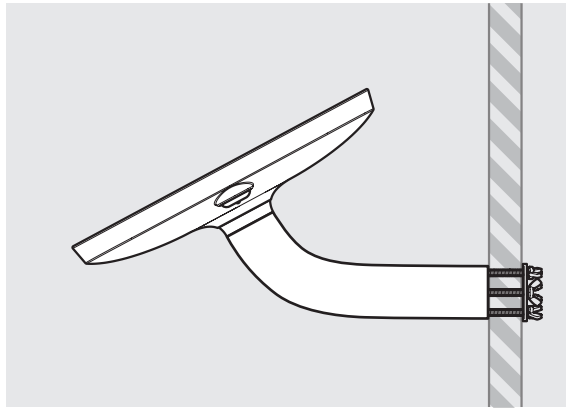


Mini Case supported devices:

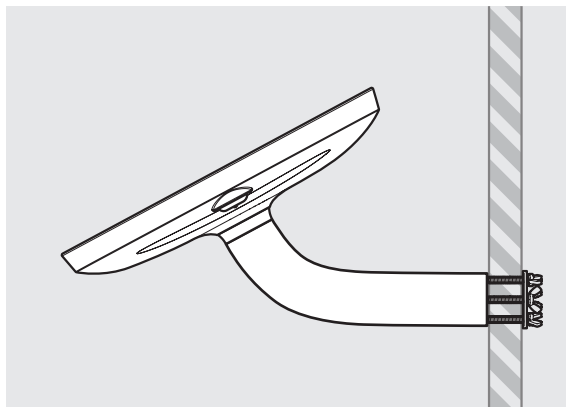
- iPad Mini 1
- iPad Mini 2
- iPad Mini 3
- iPad Mini 4



Midi Case supported devices:

- iPad 6th Gen
- iPad 5th Gen
- iPad 4th Gen
- iPad 3rd Gen
- iPad Pro 9.7
- iPad Air 1
- iPad Air 2
- Samsung Tab S2 9.7
- Samsung Tab S3 9.7
- Samsung Tab A 9.7

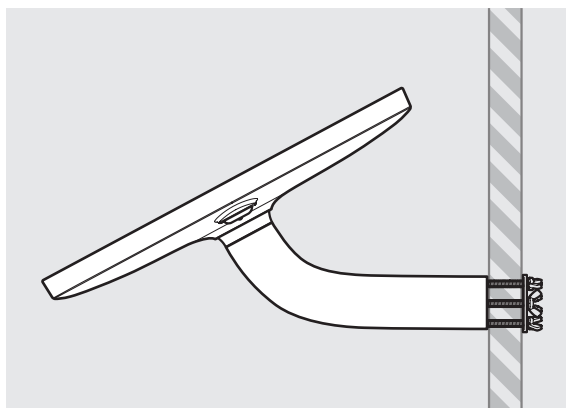
* Cable is not included for the Samsung Tab S3 9.7 Tablet



Maxi Case supported devices:

- iPad Pro 10.5
- iPad Pro 11.0
- Samsung Tab A6 10.1
- Samsung Tab A 10.1
- Samsung Tab A 10.5
- Samsung Tab 4 10.1
- Microsoft Surface Go

* Cable is not included for the Apple iPad Pro 11.0 tablet.
Cable is not included for the Microsoft Surface Go.



Mega Case supported devices:

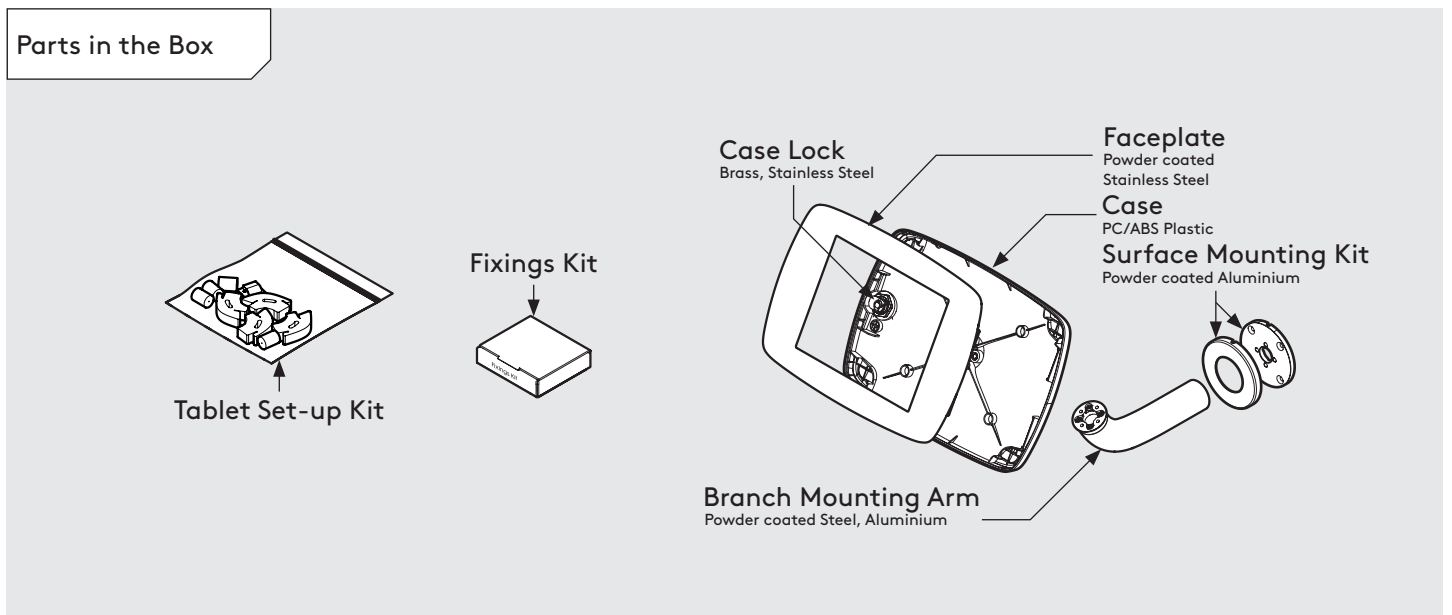
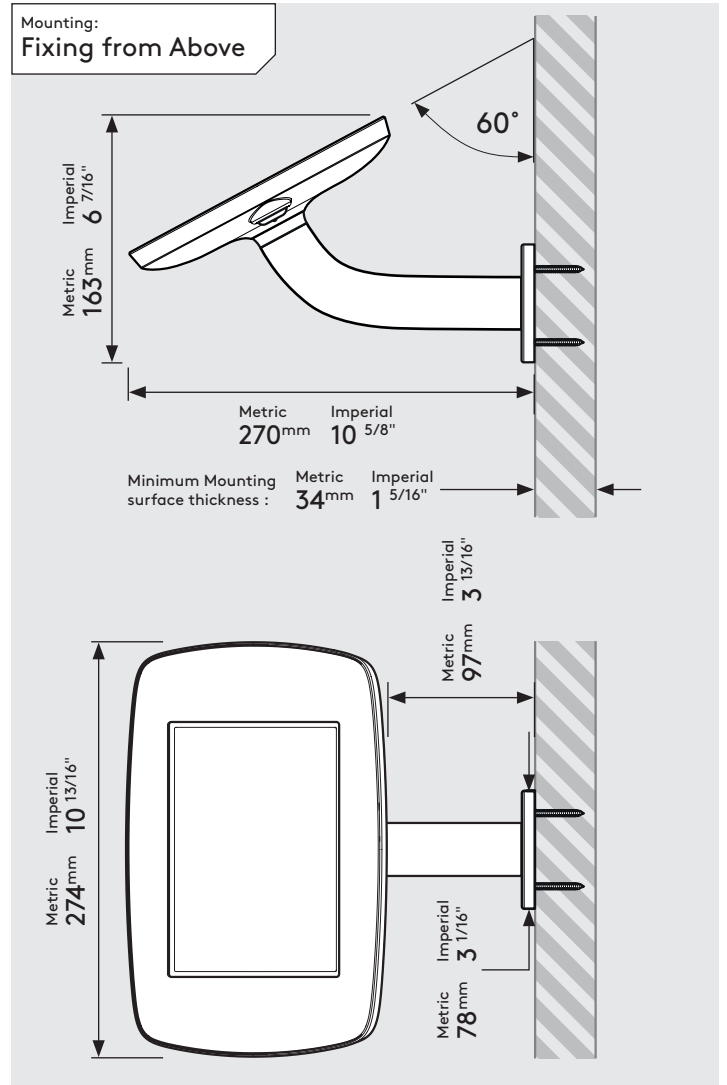
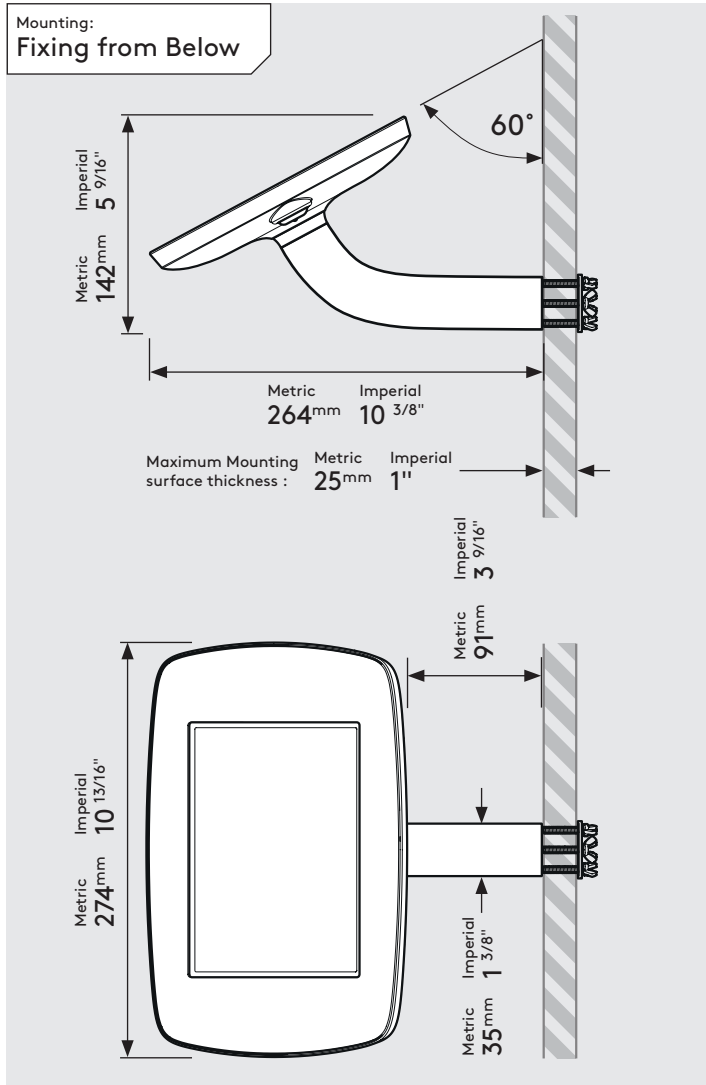
- iPad Pro 12.9" 1st Gen
- iPad Pro 12.9" 2nd Gen
- iPad Pro 12.9" 3rd Gen
- Microsoft Surface Pro 4
- Microsoft Surface Pro 5

* Cable is not included for the Surface Pro 4 or Surface Pro 5 Tablets.
Cable is not included for the iPad Pro 12.9" 3rd Gen.

PRODUCT DATA SHEET - BOUNCEPAD BRANCH

bouncepad[®]

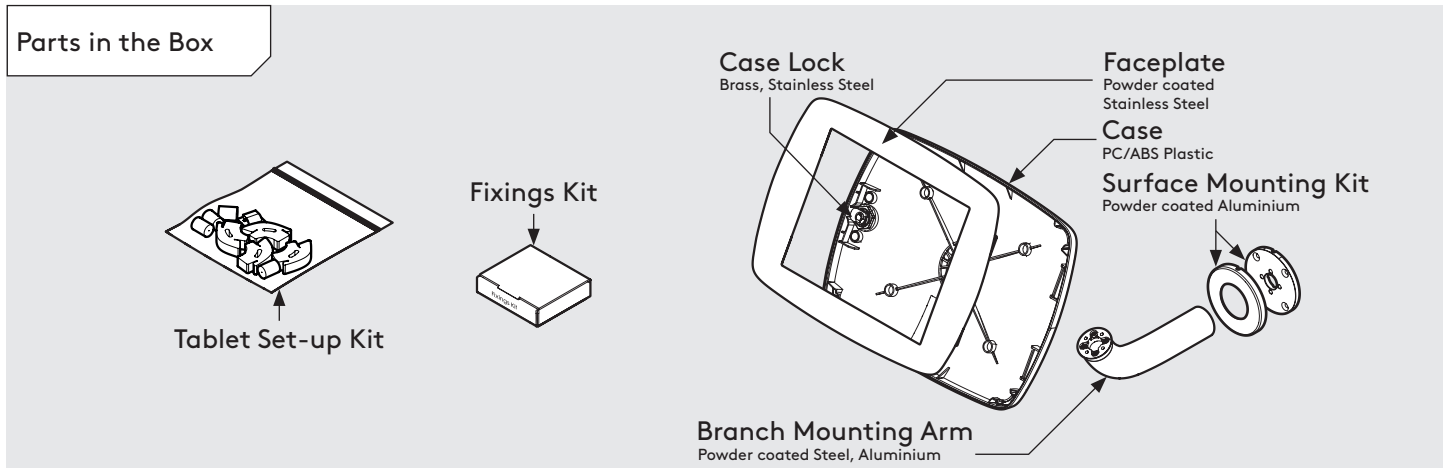
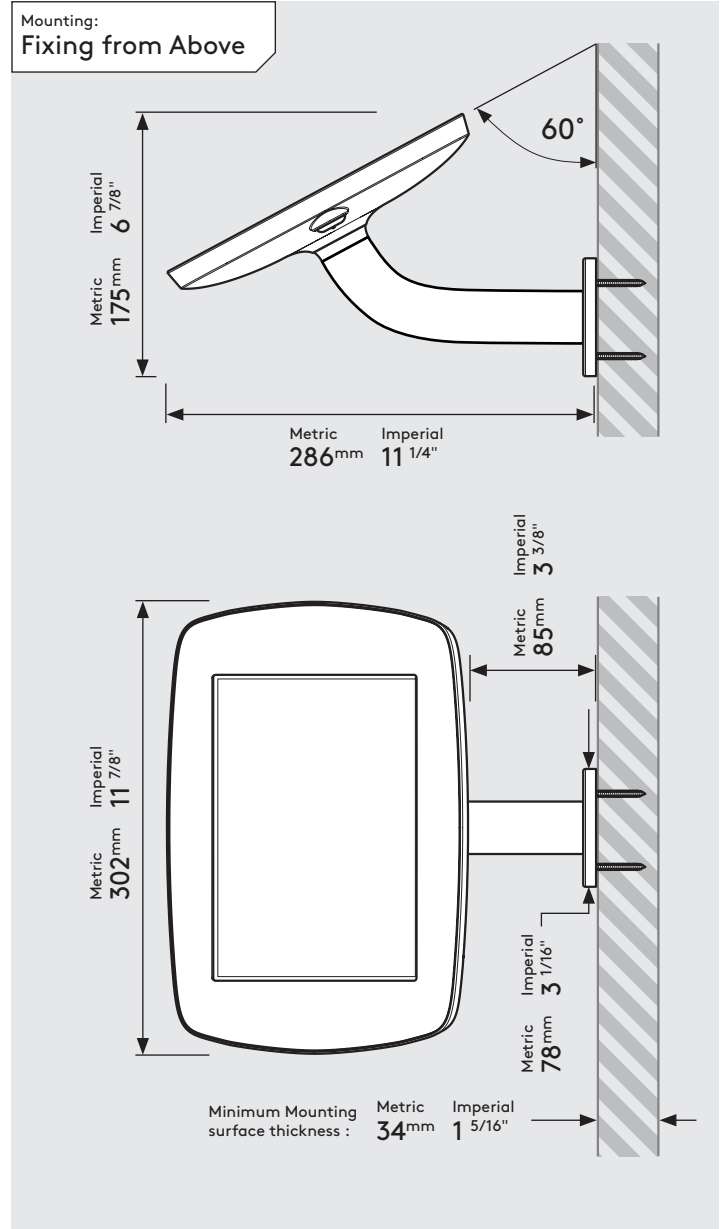
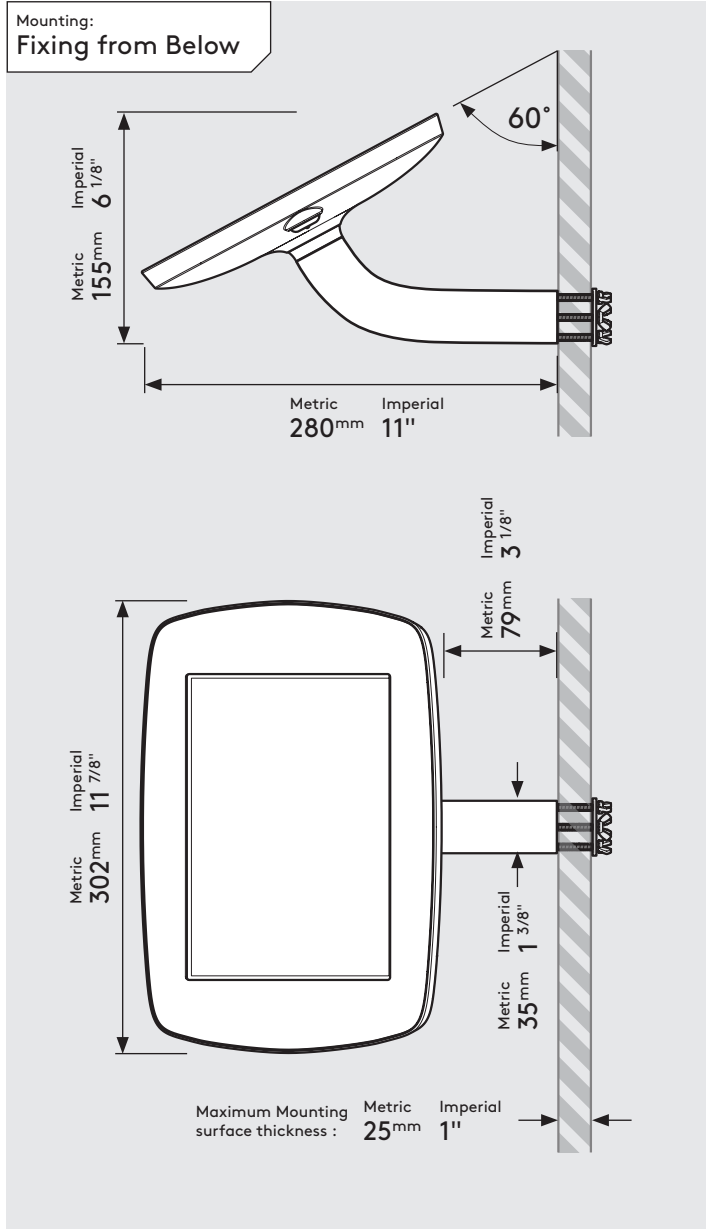
Case: Mini
Arm: Branch
Mounting: Fixing from Below
 Fixing from Above
Packaged weight: 1.71kg
Colour: White
 Black



PRODUCT DATA SHEET - BOUNCEPAD BRANCH

bouncepad[®]

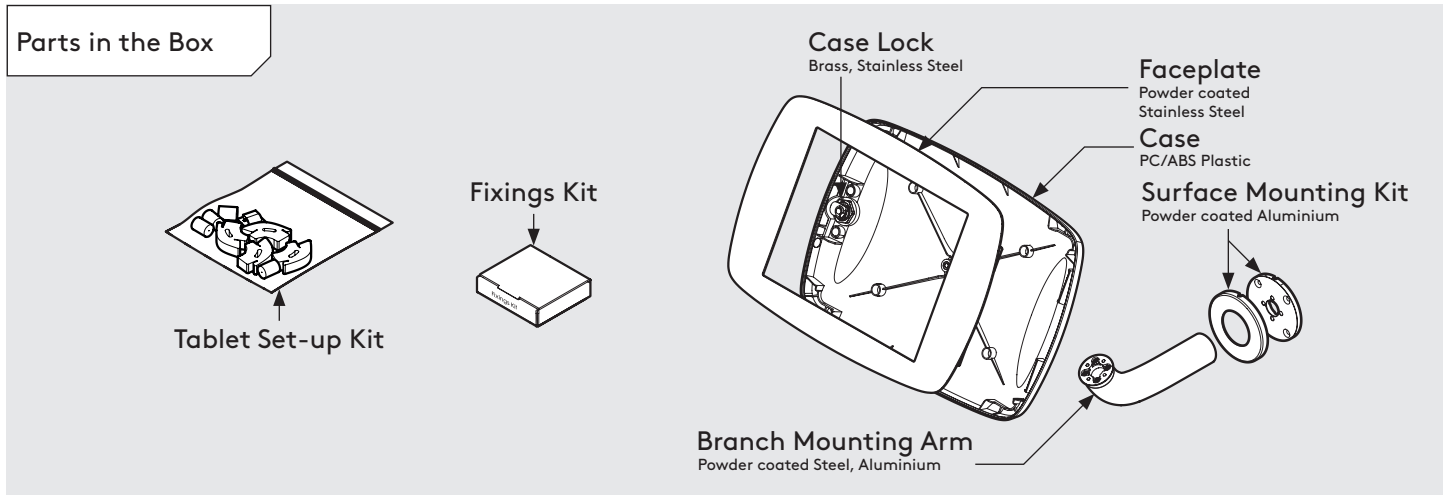
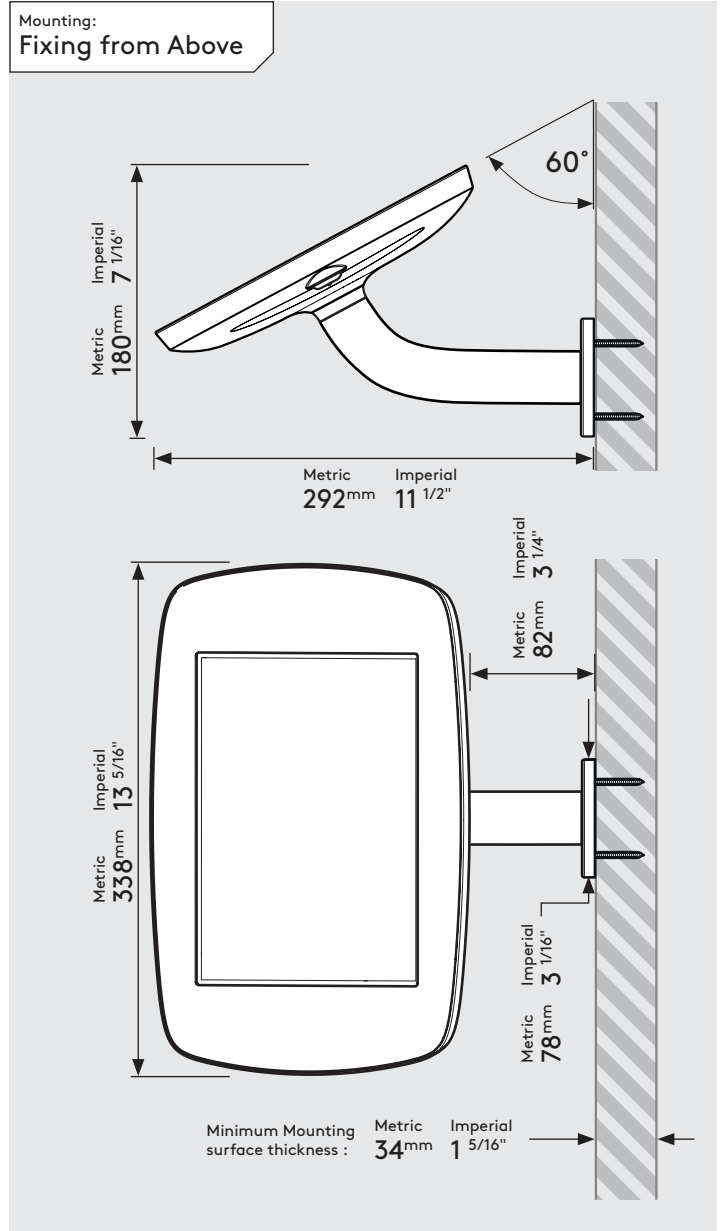
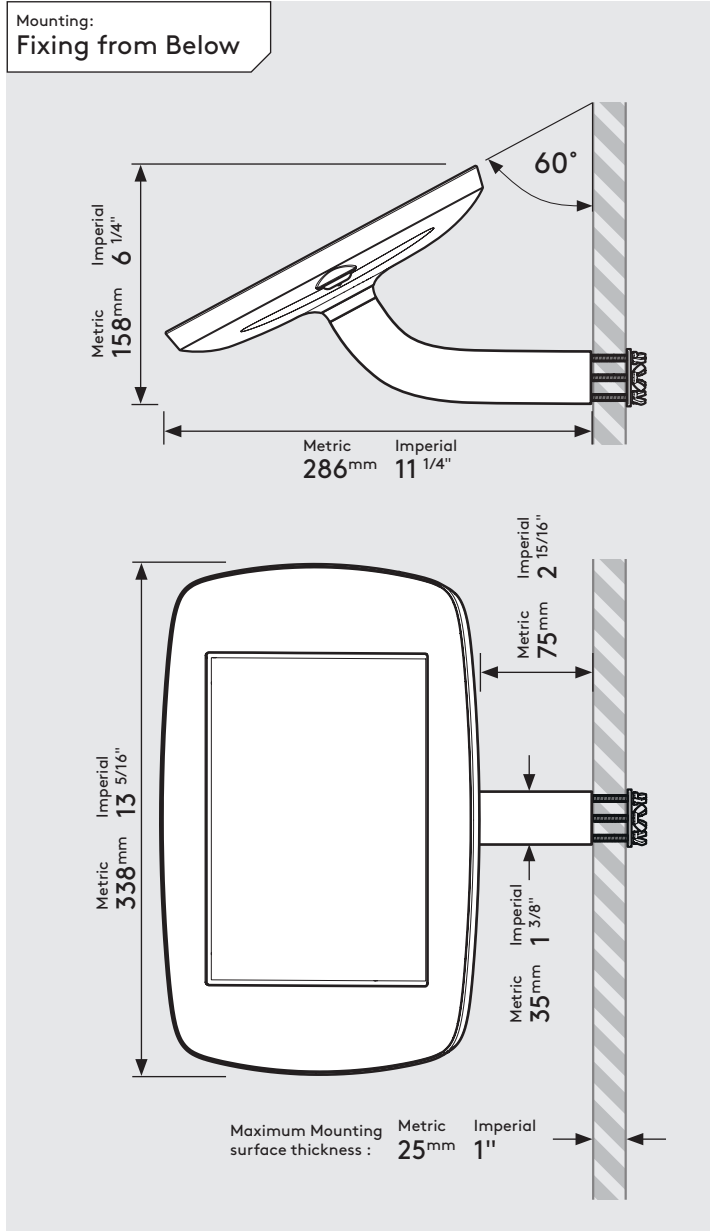
Case: Midi
Arm: Branch
Mounting: Fixing from **Below**
 Fixing from **Above**
Packaged weight: 1.89kg
Colour: White
 Black



PRODUCT DATA SHEET - BOUNCEPAD BRANCH

bouncepad[®]

Case: Maxi
Arm: Branch
Mounting: Fixing from **Below**
 Fixing from **Above**
Packaged weight: 2.12kg
Colour: White
 Black



PRODUCT DATA SHEET - BOUNCEPAD BRANCH

bouncepad[®]

Case: Mega
Arm: Branch
Mounting: Fixing from Below
 Fixing from Above
Packaged weight: 2.51kg
Colour: White
 Black

