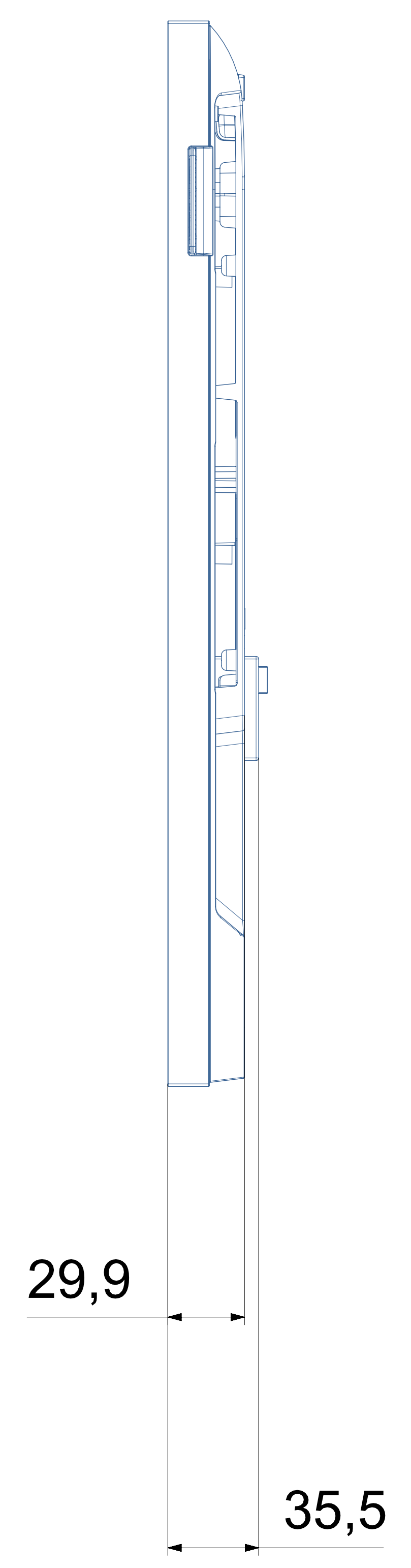
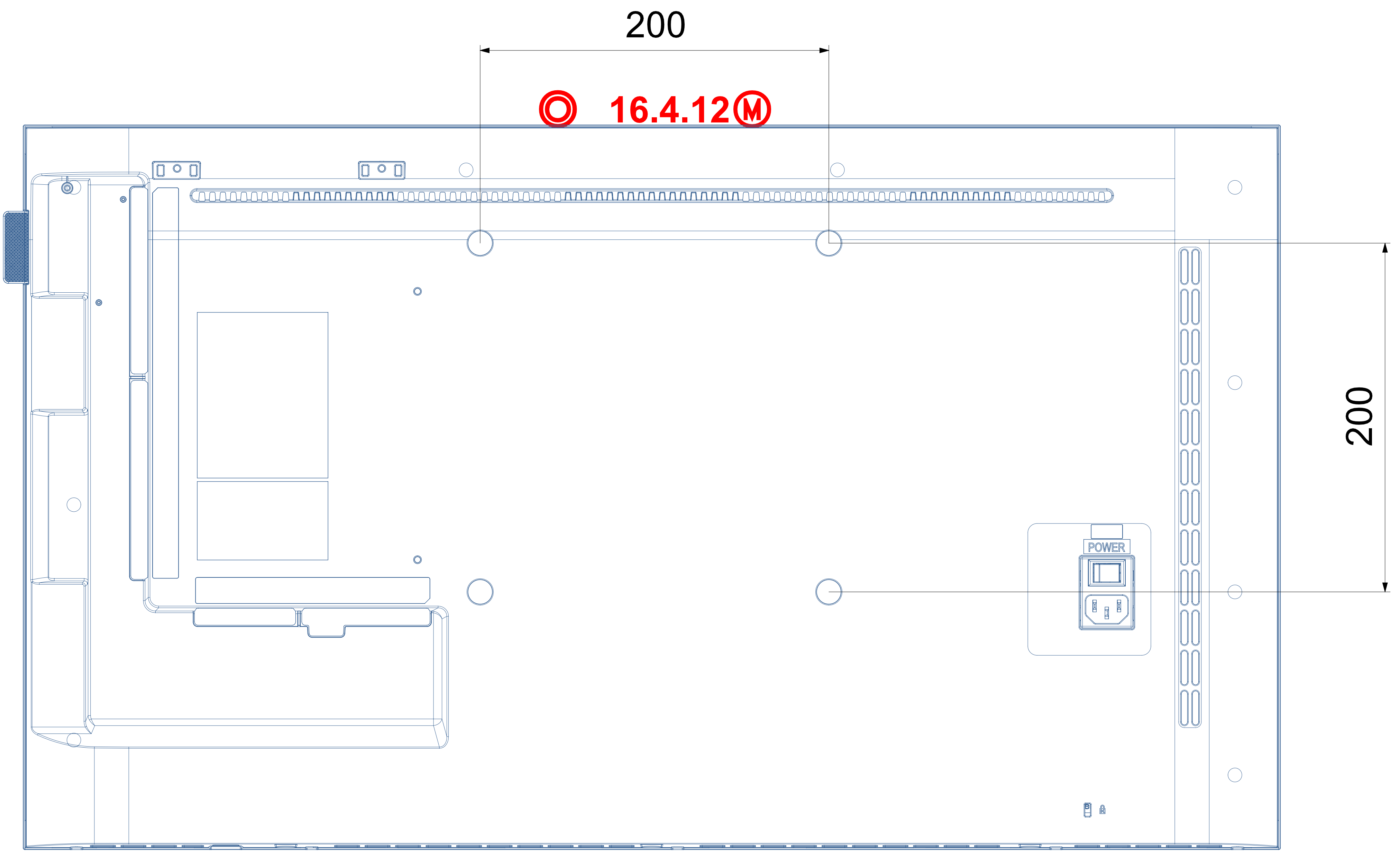
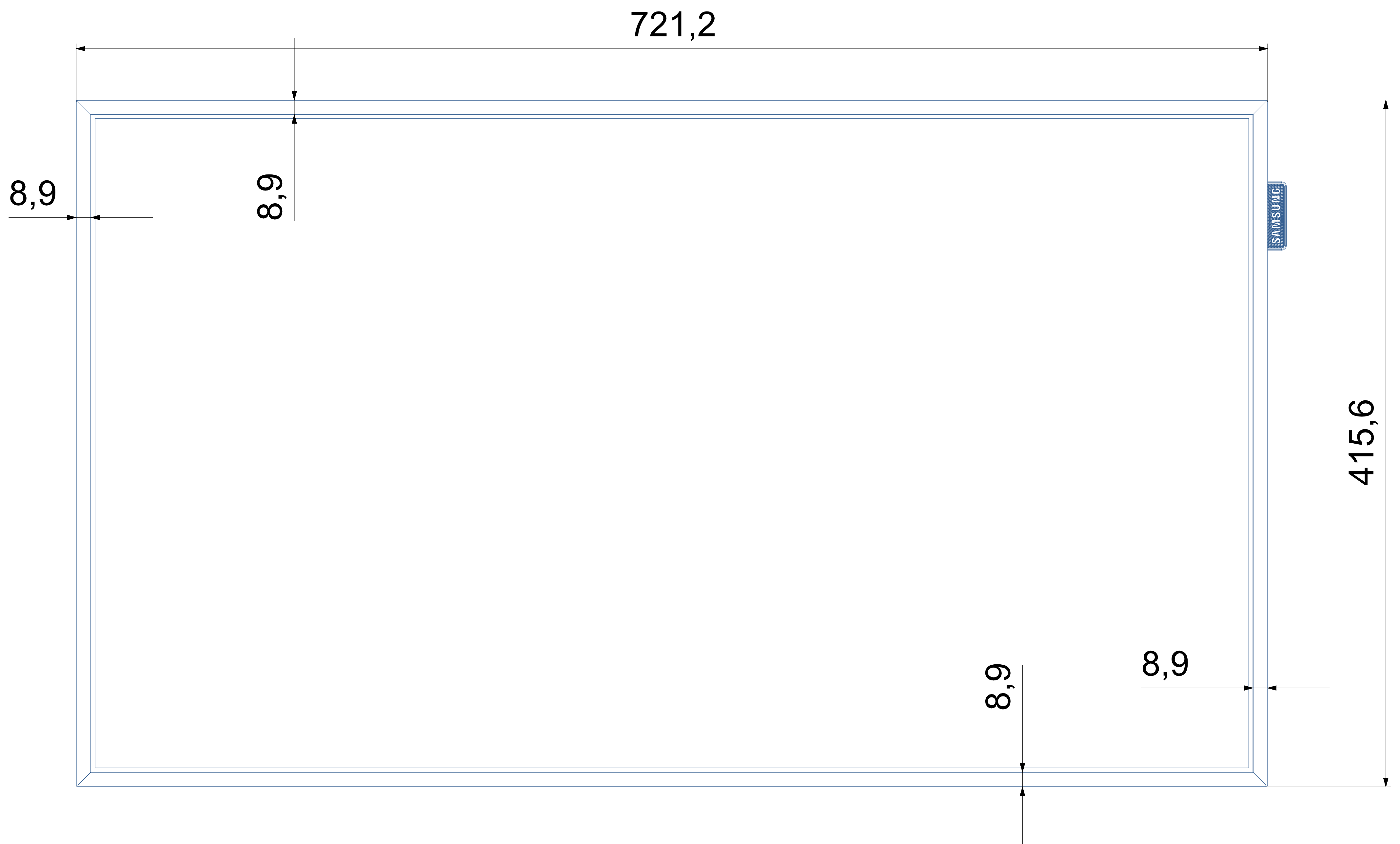


Rev. No	32	33	34
ED	CODE	RECORD	REMARK

PMF/PHF 32inch Mechanical Drawing_160412

SET SIZE (WxHxD) : 721.2x415.6x29.9
 BEZEL WIDTH(T&B&L&R) : 8.9
 VESA HOLE : 200x200



PART NAME	FHD-32-PMF-ASSY-SET	SPECIFICATION	PROJECTION
UNIT	MM	DRAWING BY	REVIEWED BY
TOLERANCE		APPROVED BY	
SCALE		SHEET NO	✓
ELECTRONS		CODE No.	DWG. Rev