

This drawing is property of SEC. Use or copy of this drawing without proper permission of the appropriate technical document managing department is prohibited. Copy with the threshold of substances which are specified in 00A-2009

Rev.No	ED	CODE	RECORD	REMARK

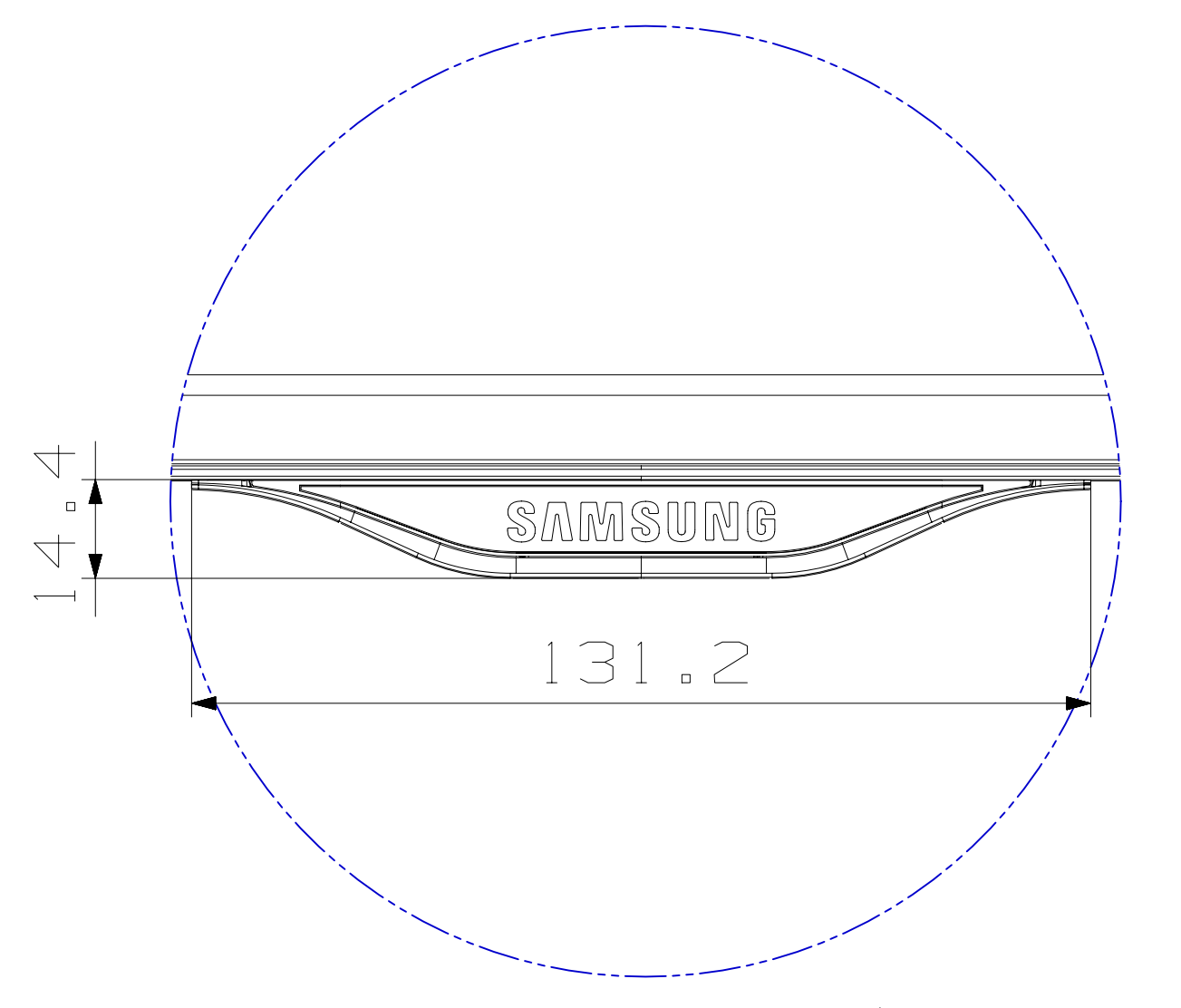
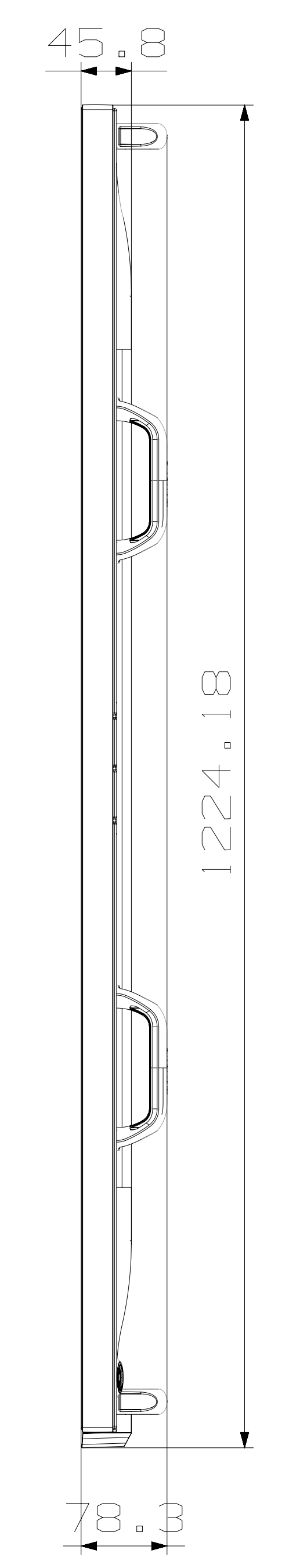
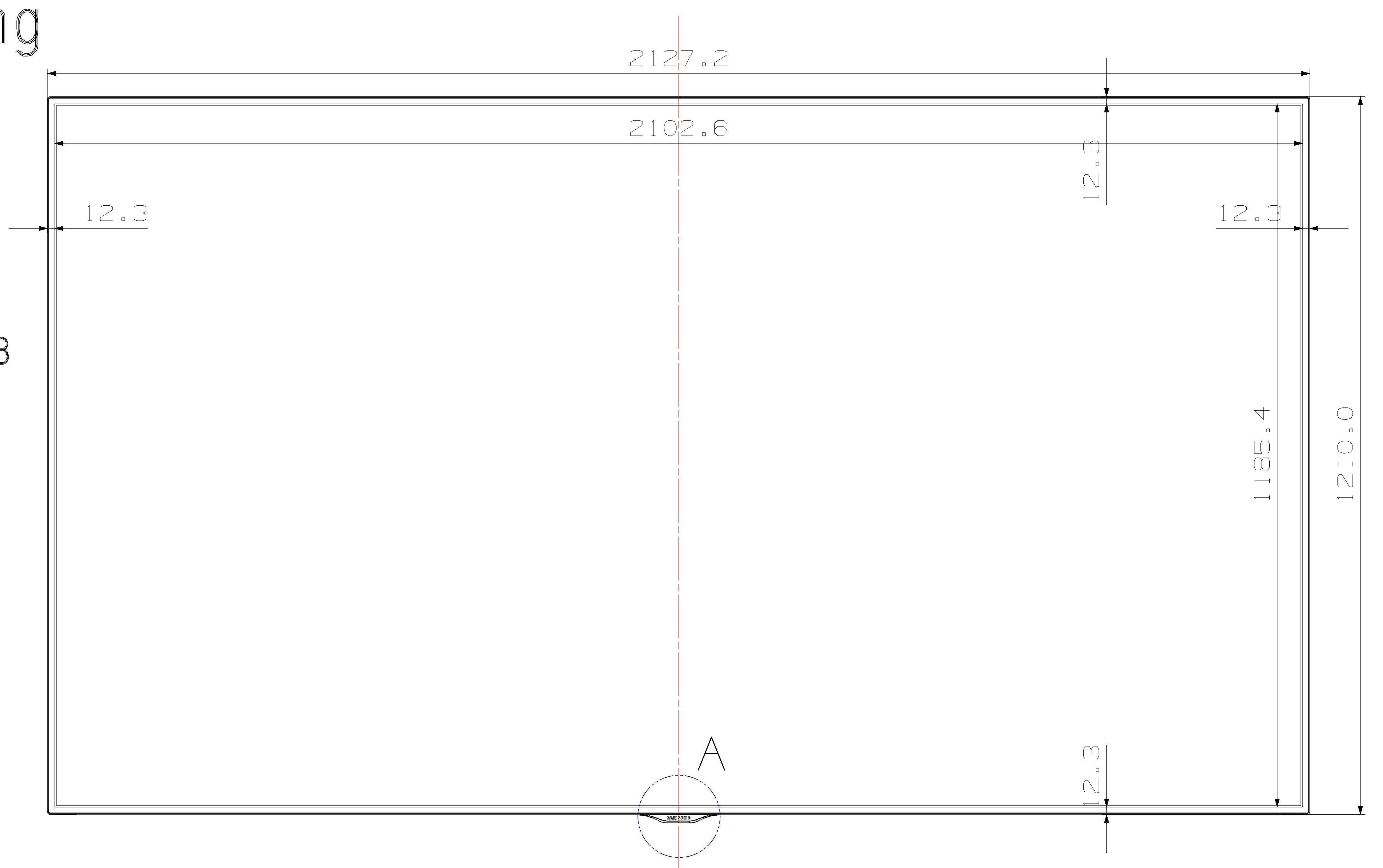
ME95C Mechanical Drawing

SET SIZE(WXHXD) : 2127.2 X 1210.0 X 45.8

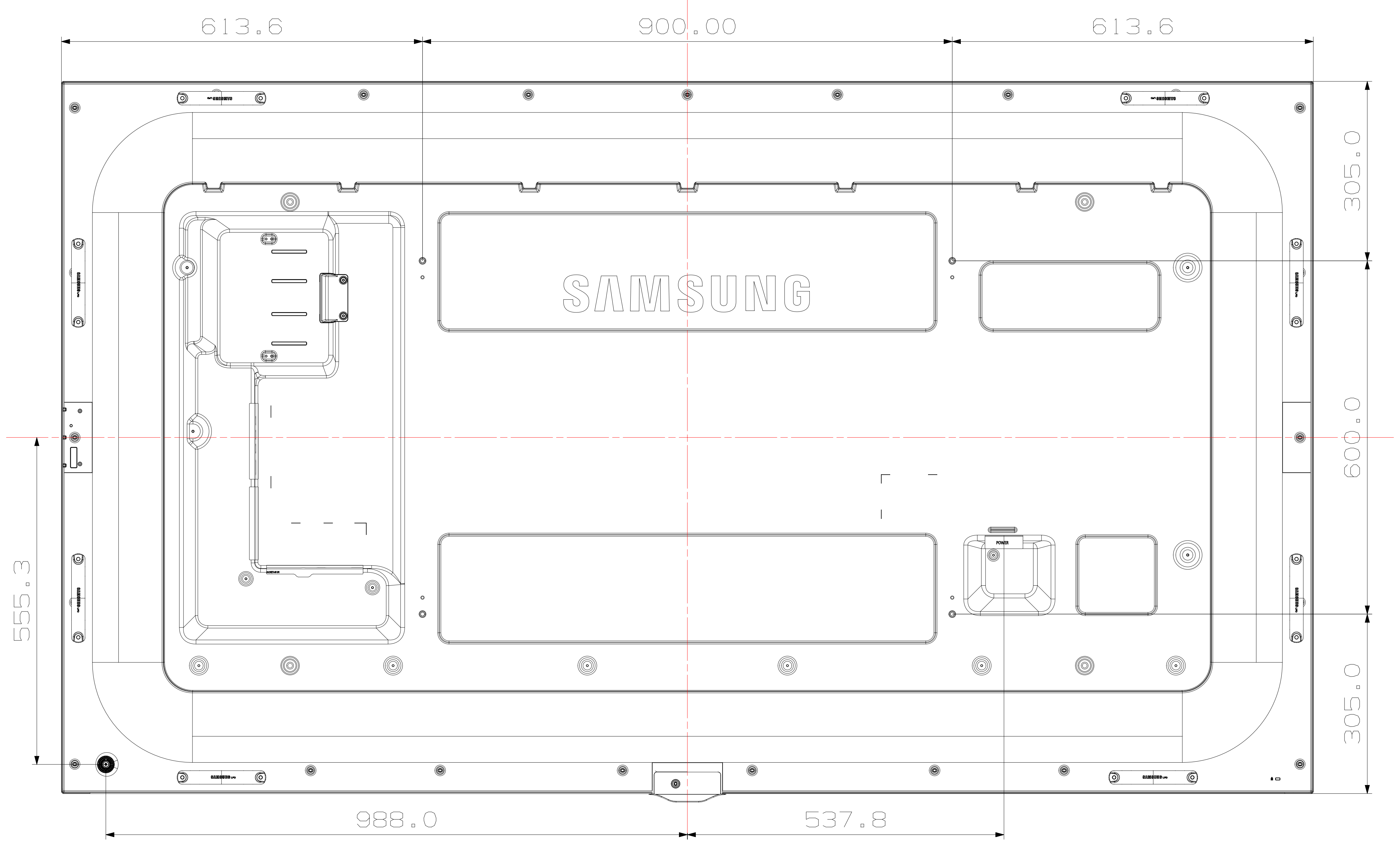
Opening SIZE : 2102.6 X 1185.4

BEZEL WIDTH(T/B/L/R) : 12.3(Common)

VESA HOLE : 900 X 600



DETAIL A
SCALE 1 : 1



PART NAME	ME95C SET_Horizontal	SPECIFICATION	PROJECTION
UNIT	MM	DRAWING BY	SH.OH
TOLERANCE	1:4	REVIEWED BY	SH.OH
SCALE	1:4	CODE No.	DWG. Rev