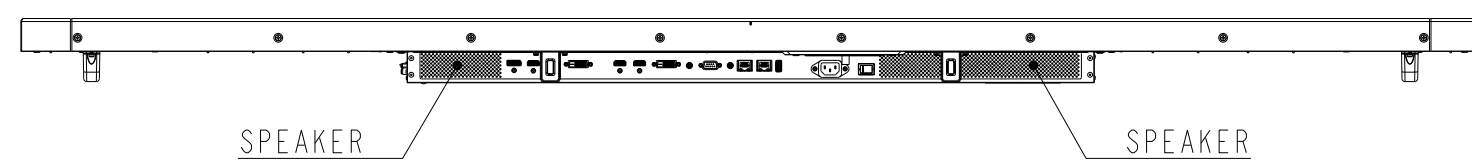
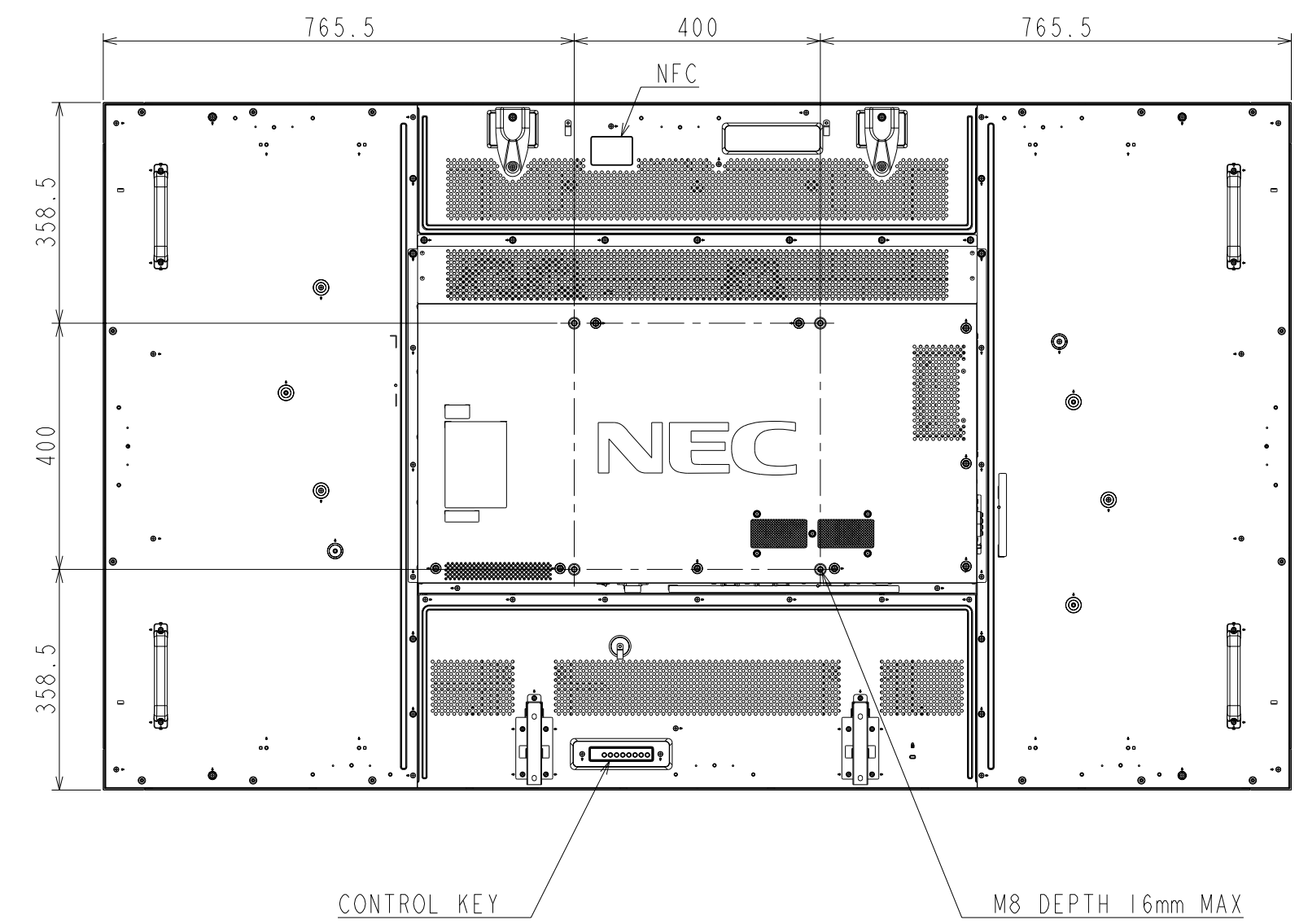
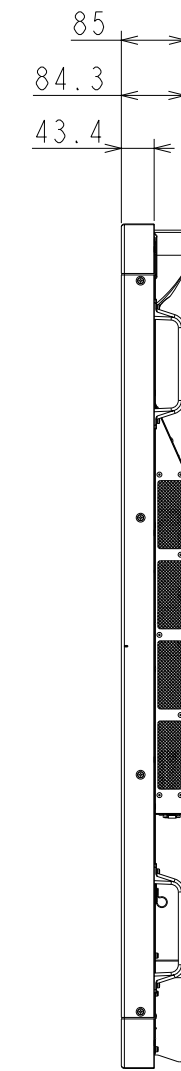
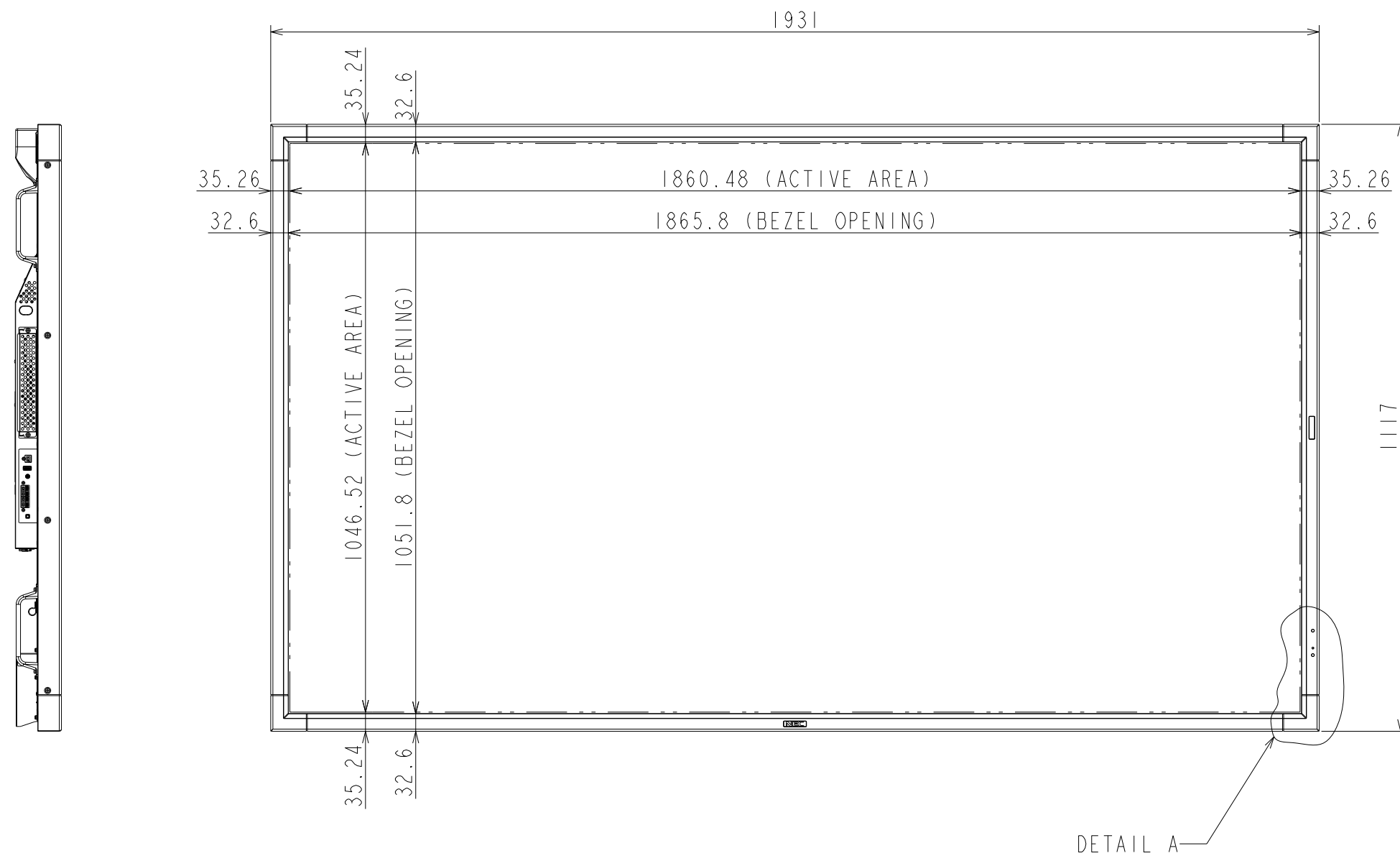
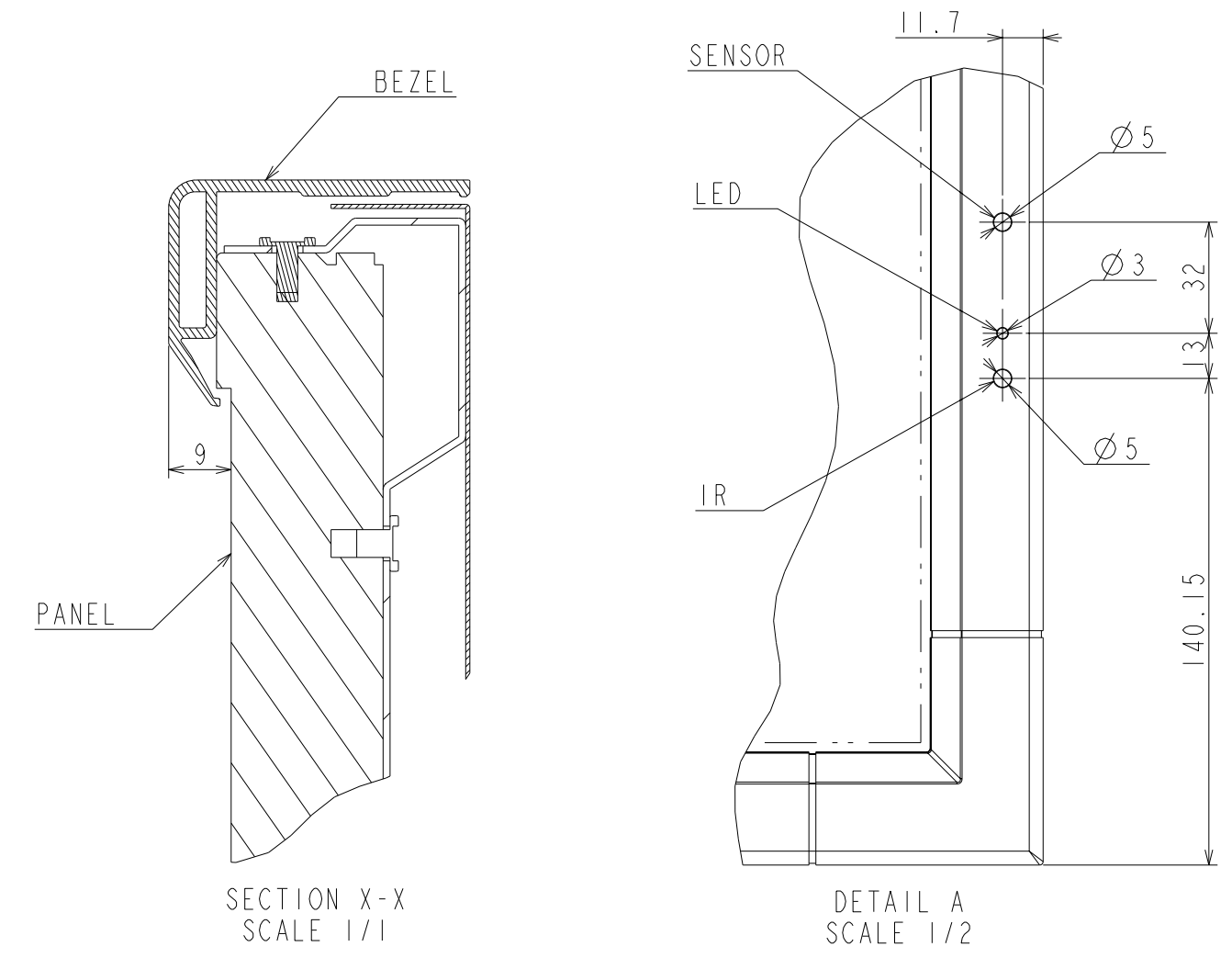
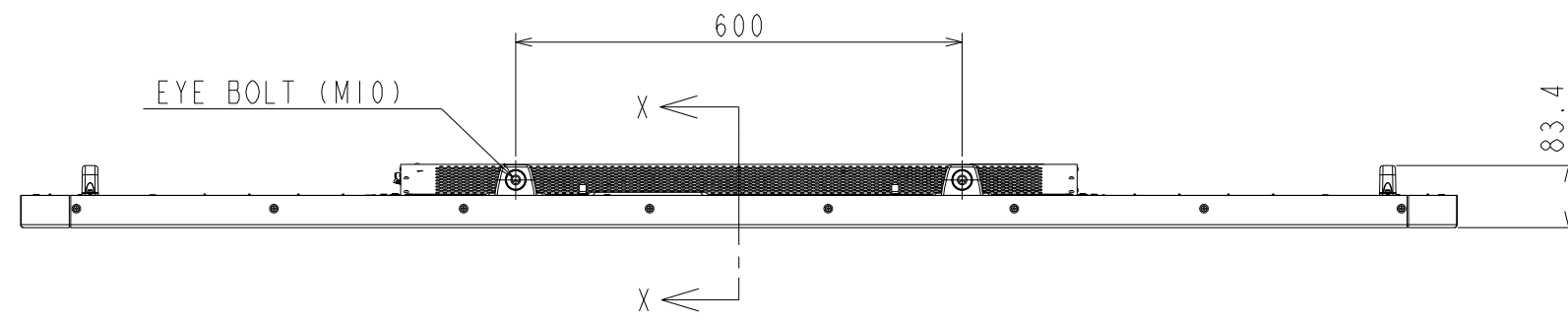


# X841UHD OUTLINE

2014/01/15



SCALE	1/10
SIZE	A2
UNIT	mm