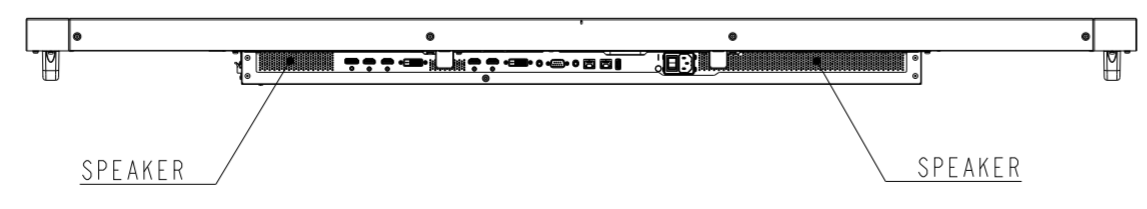
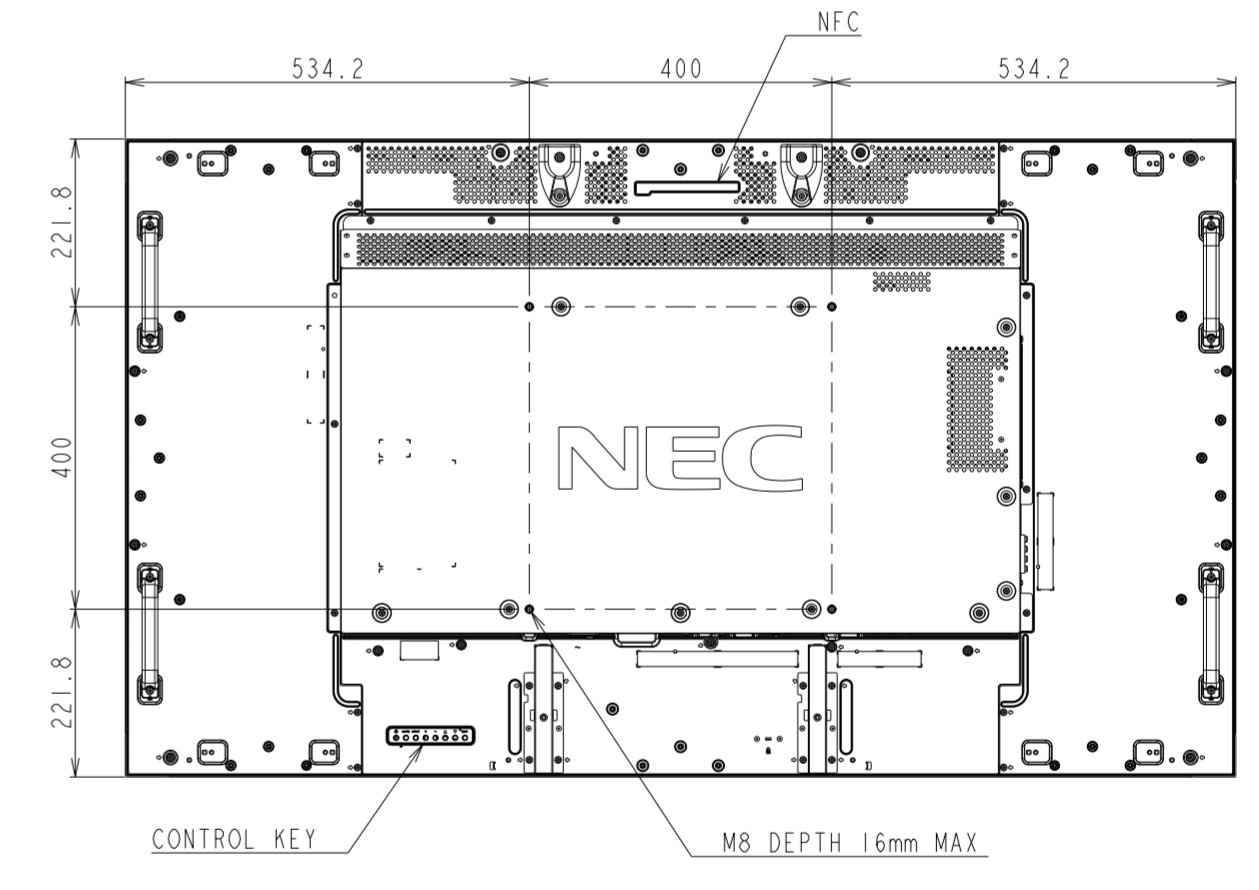
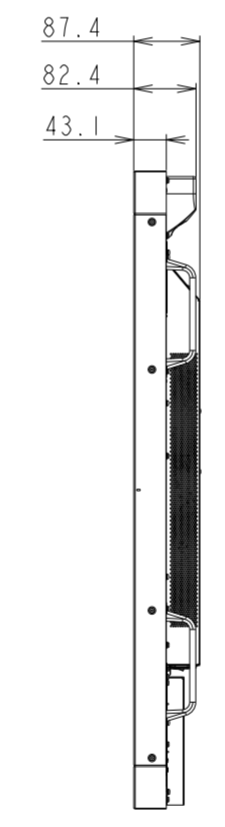
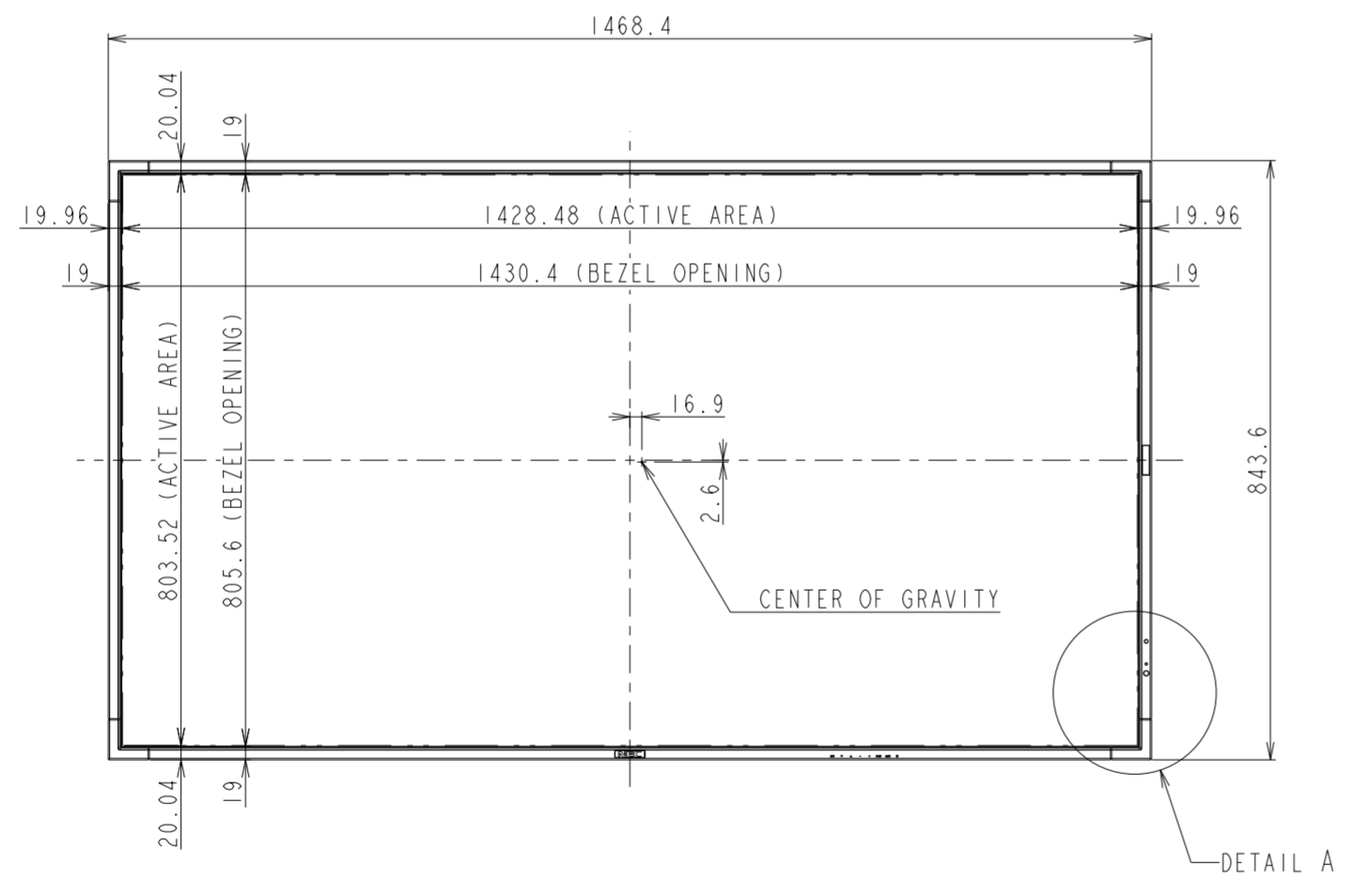
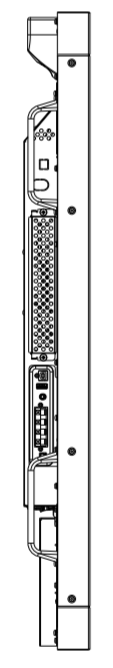
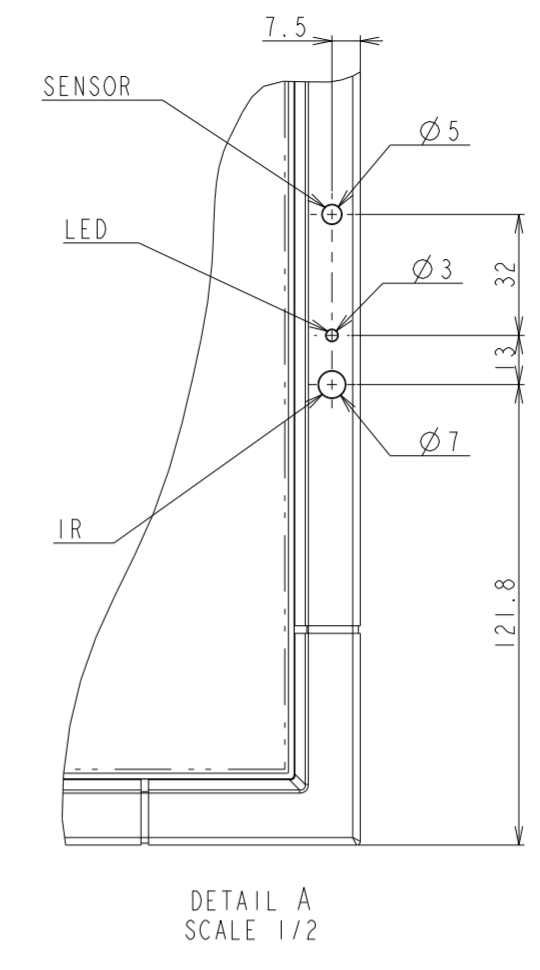
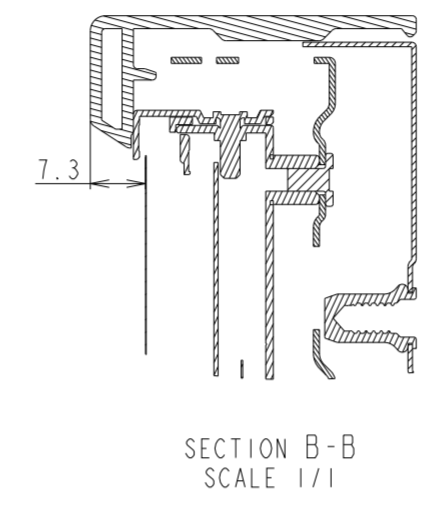
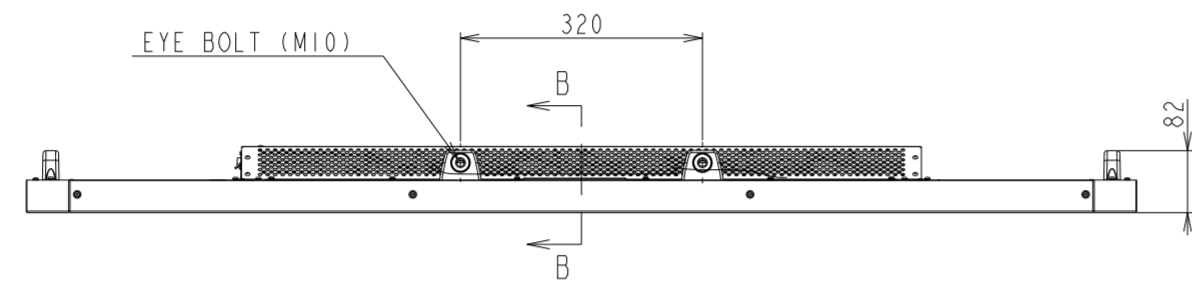


X651UHD OUTLINE
 (Ver. 0.1 / Tooling start stage)



SIZE	A2
SCALE	1/10
UNIT	mm
DATE	2014.09.18